



Pend Oreille County

Community Development Department

P. O. Box 5066 Newport,
Phone: 509-447-4821

Washington 99156-5066
Fax: 509-447-5890

Mike Lithgow
Community Development Director

Rick J Cruse
Building Inspector/ Fire Marshal

PROPANE PERMIT APPLICATION

PROPANE TO SUPPLY THE FOLLOWING (CHECK ALL THAT APPLY)

- Clothes Dryer
- Cook Stove
- Accessory Building / Pole Bld.
- HVAC Mechanical
- Fireplace
- Hot Water Heater

JOB SITE INFORMATION

Fire District:	Floodplain	YES	NO	Critical Areas/Wetlands	YES	NO
Site Address: _____						
Geo. ID or Property ID Number:		Subdivision:		Lot:		
Legal Description: _____						

PROPERTY OWNER CONSENT INFORMATION

Are you the property owner? Yes No

If you are not the property owner you will need to submit a completed Landowner/Agent Consent Form.

BUILDING OWNER/APPLICANT

Name: _____

Address: _____

City: _____ State: _____ Zip: _____

Phone: _____ Fax: _____ Email: _____

GENERAL CONTRACTOR

Name: _____

Address: _____

City: _____ State: _____ Zip: _____

Phone: _____ Fax: _____ Email: _____

Contractor License #: _____

WORK DETAIL

Project Description: _____

ADDITIONAL INFORMATION

PERMIT FEE*

Fees are established by the Board of County Commissioners and are subject to change. The building official will assign the fee when plans of the project are reviewed. Permits are valid for one year from issue date and may be renewed for \$55.00 per year for a total of four additional times (maximum five years). Permit fees, to be determined by the building inspector after plan review. The check is to be made payable to Pend Oreille County. Applications may be delivered to the Community Development Department in the lower level of the courthouse in Newport or mailed to: P.O. Box 5066 Newport WA. 99156

I hereby certify that I have read and examined this application and know the same to be true and correct. All provisions of laws and ordinances governing this type of work will be complied with whether specified herein or not. The granting of a permit does not presume to give authority to violate or cancel the provisions of any other federal, state, or local law regulating construction or the performances of construction.

Signature: _____

Date: _____



Pend Oreille County

Community Development Department

P. O. Box 5066 Newport,
Phone: 509-447-4821

Washington 99156-5066
Fax: 509-447-5890

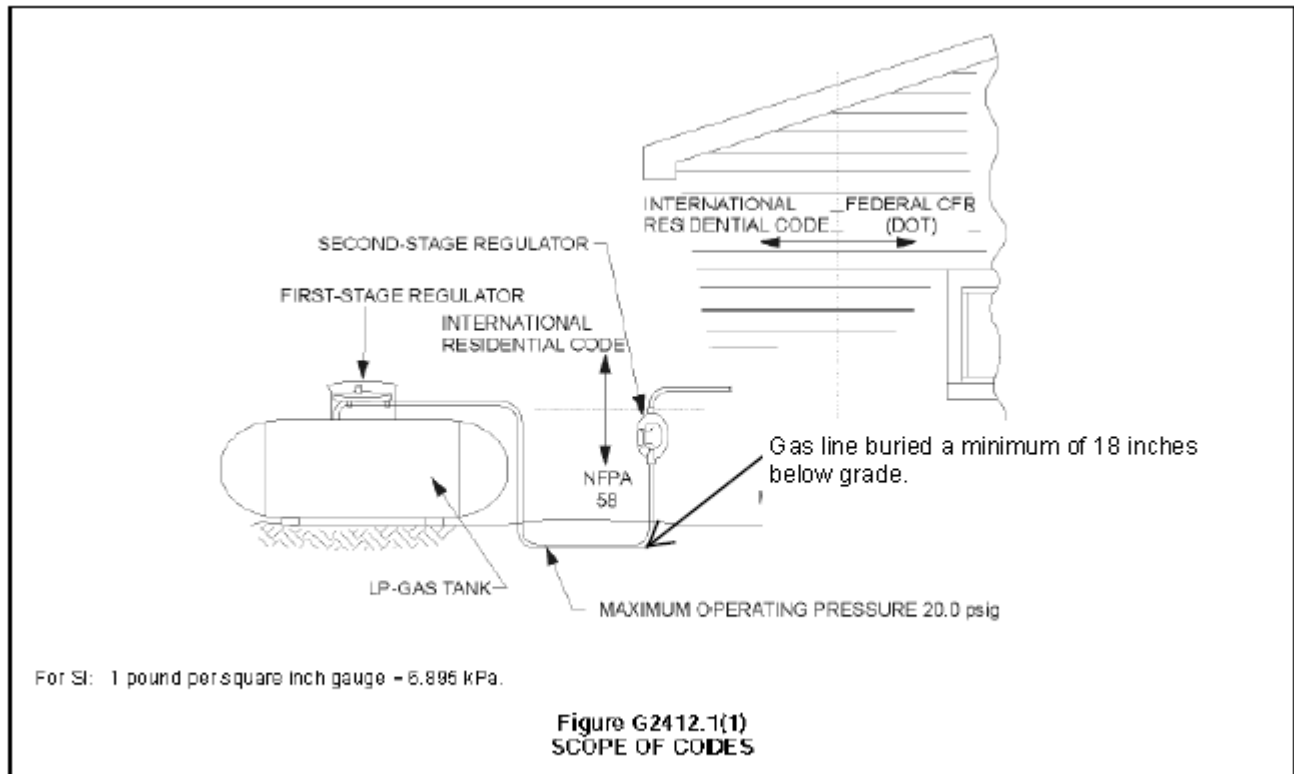
Mike Lithgow
Community Development Director

Rick J Cruse
Building Inspector

Helpful Inspections Requirements

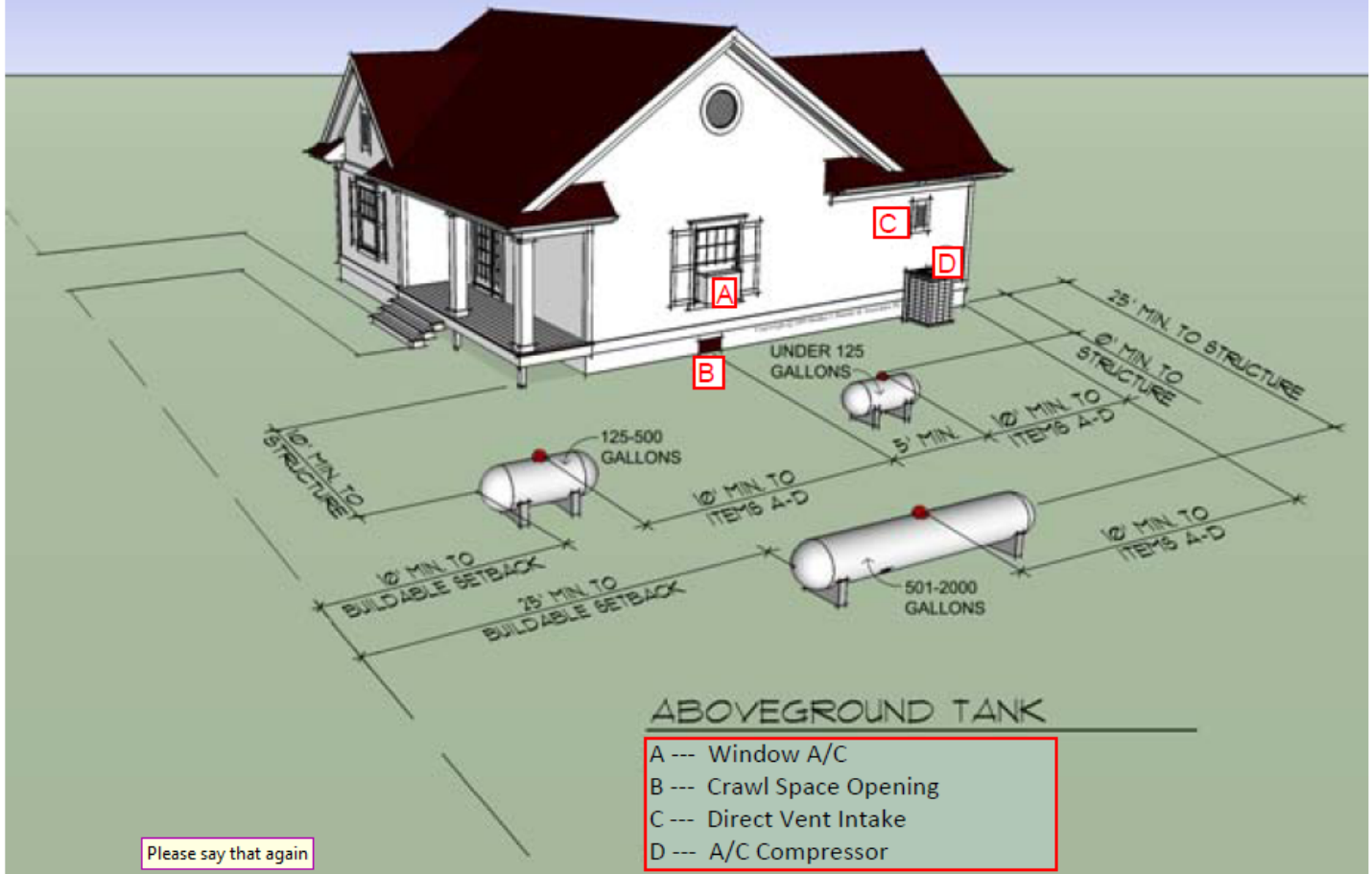
Corrections:

1. Propane tanks are subject to protection requirements for obvious reasons. Propane tanks that are subject to vehicle traffic as a rule states, clearly should be protected from any sort of impact caused by a vehicle.
2. A second stage regulator is required to be mounted on the house.
3. Gas line to be buried a minimum of 18 inches below grade.



Guide for installing your propane tank

Tank Installation Setbacks



Tank Installation Setbacks

The location of the container is important. Specific rules about the placement of LP Gas containers can be found in the National Fire Protection Association's (NFPA) 58. There are standards for ASME above ground containers, ASME underground containers, and DOT cylinders.

Propane basements and crawlspaces

6103.2 Use of LP-gas containers in buildings.

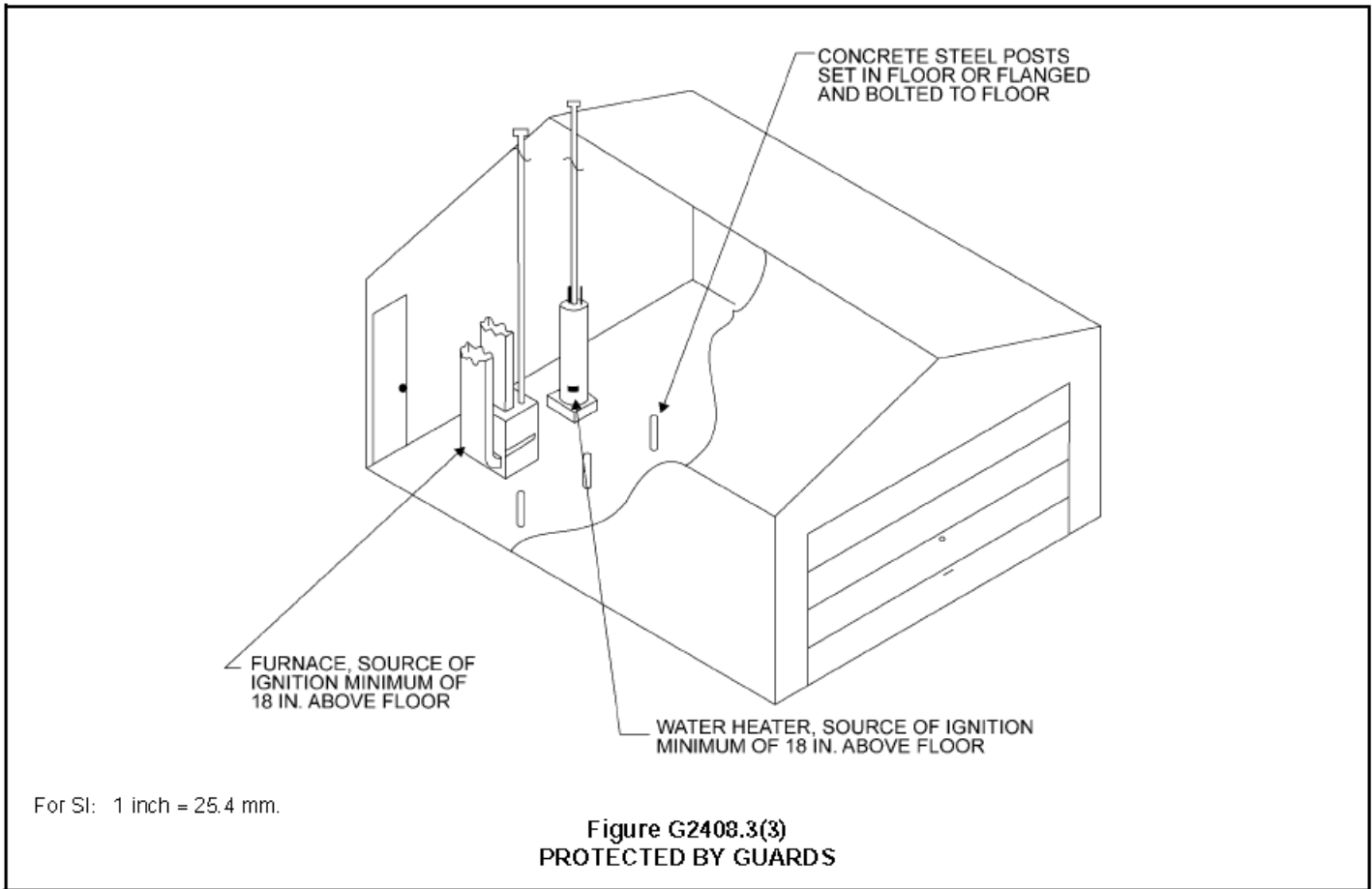
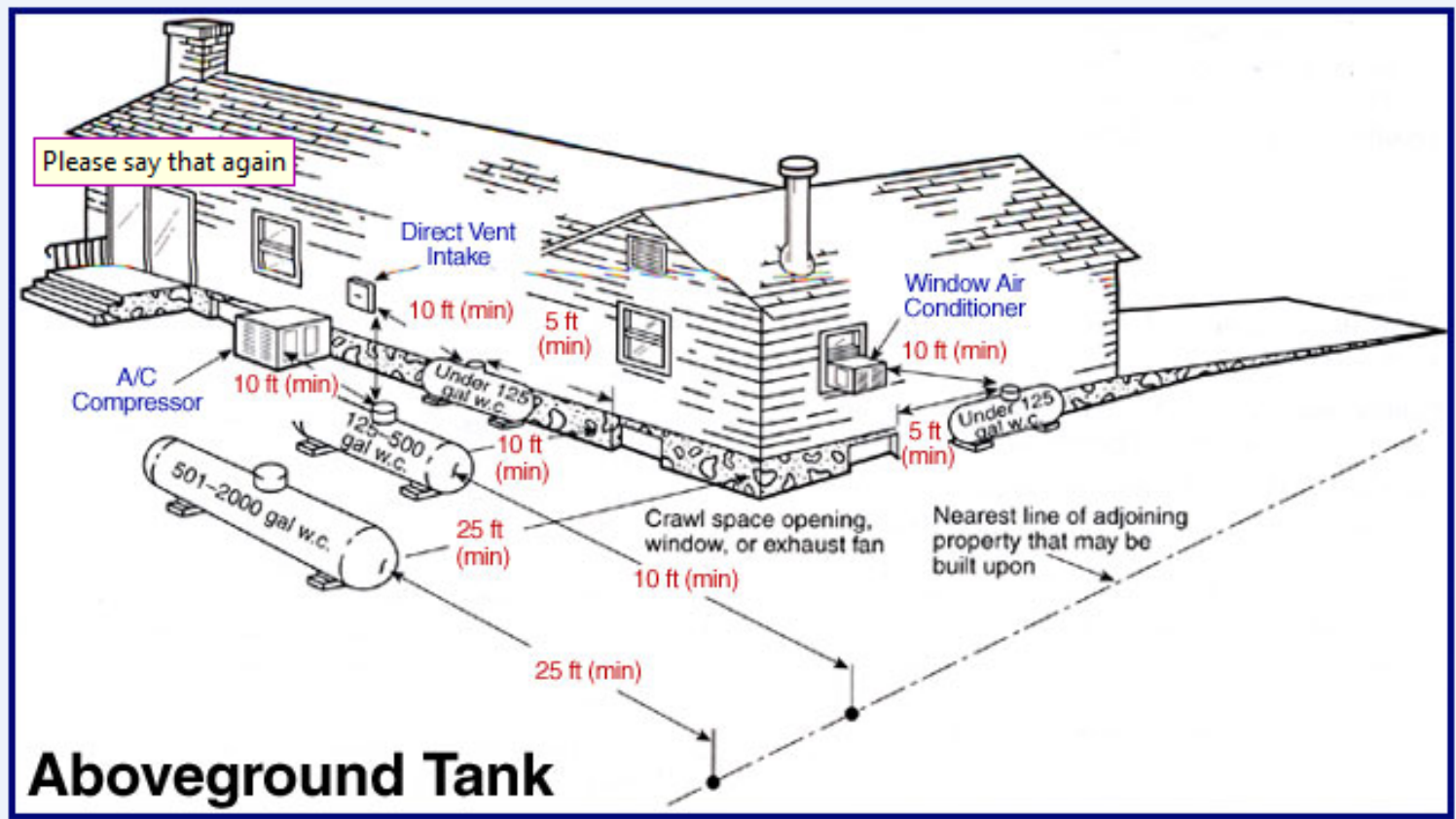
The use of LP-gas containers in buildings shall be in accordance with Sections 6103.2.1 and 6103.2.2.

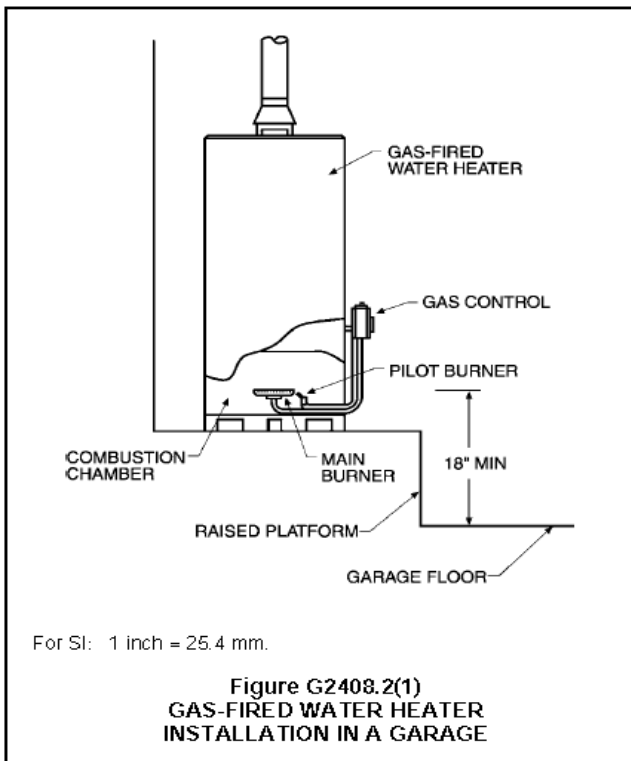
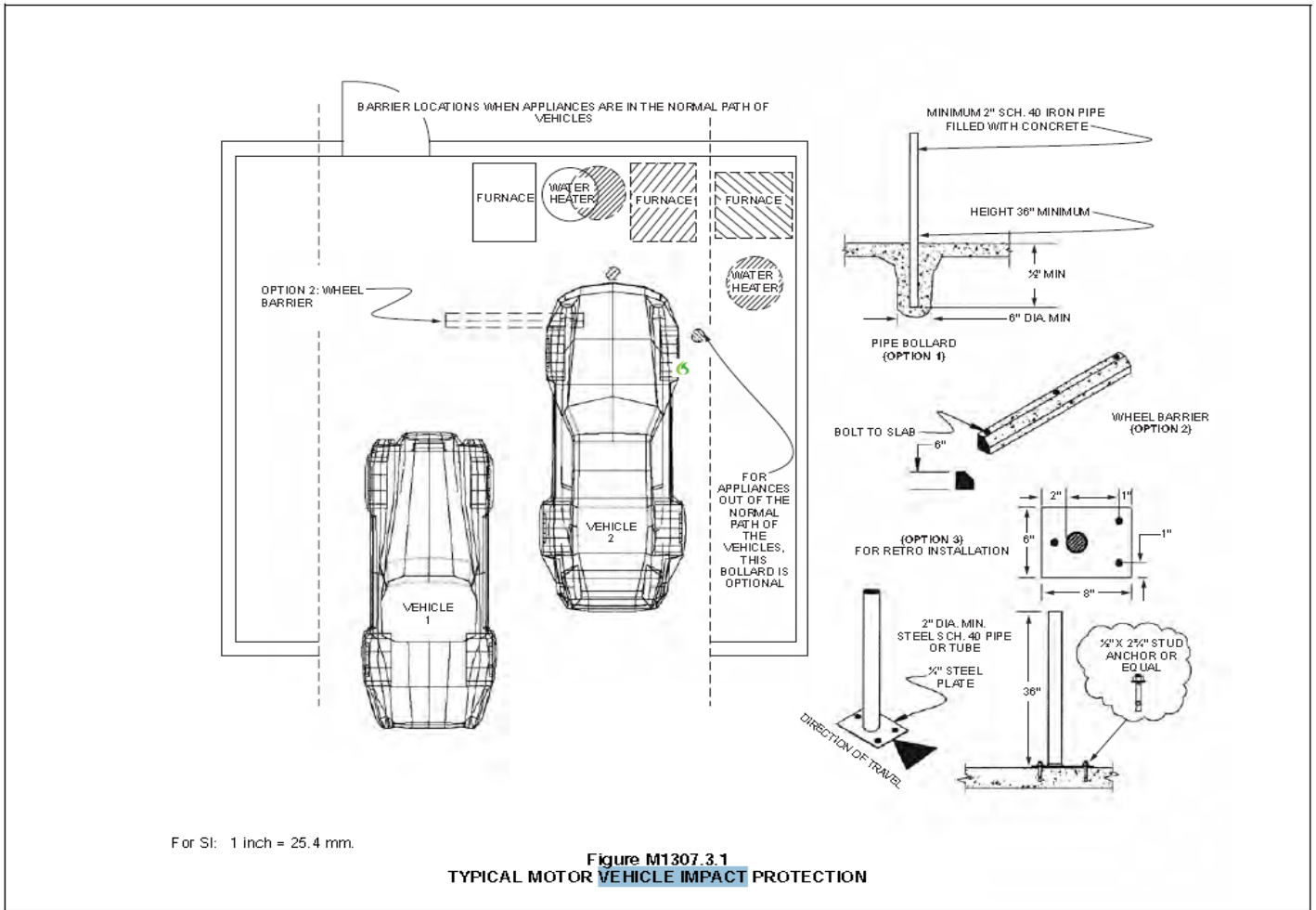
6103.2.1 Portable containers.

Portable LP-gas containers, as defined in NFPA 58, shall not be used in buildings except as specified in NFPA 58 and Sections 6103.2.1.1 through 6103.2.1.7.

6103.2.1.1 Use in basement, pit or similar location.

LP-gas containers shall not be used in a basement, pit or similar location where heavier-than-air gas might collect. LP-gas containers shall not be used in an above-grade underfloor space or basement unless such location is provided with an approved means of ventilation.





Gas appliances

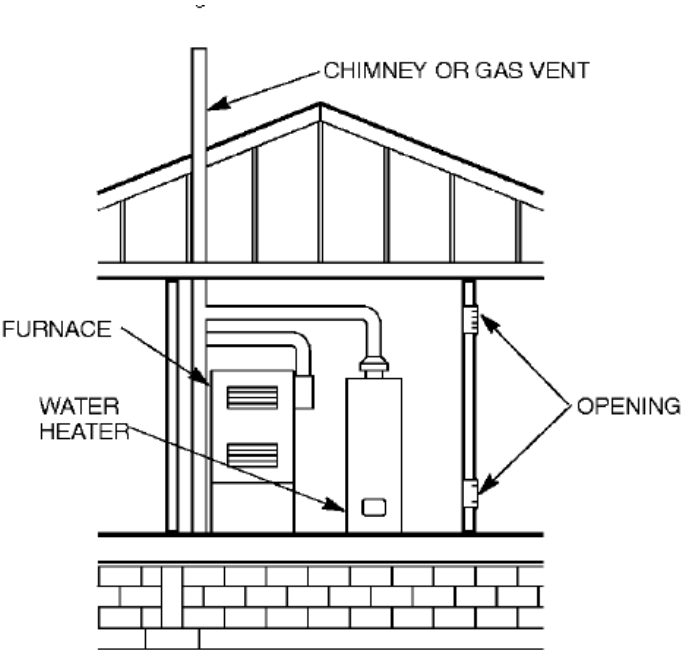


FIGURE G2407.5.3 (304.5.3)
ALL AIR FROM INSIDE THE BUILDING
(see Section G2407.5.3)

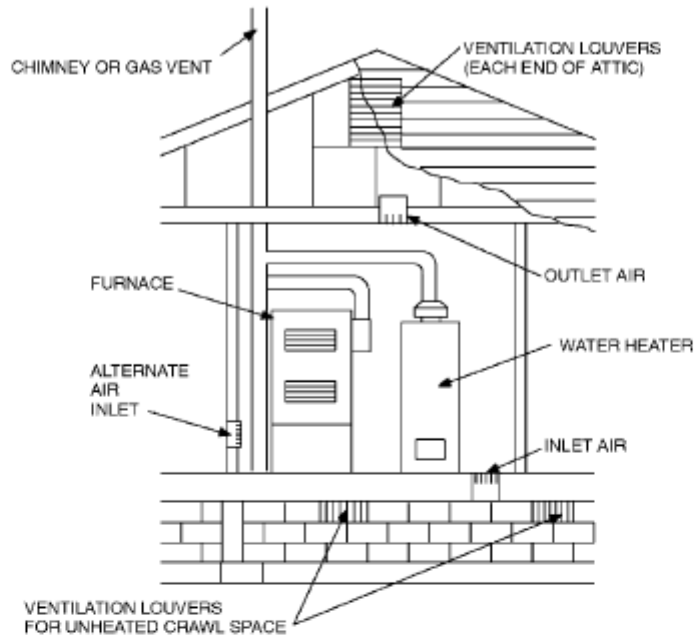


FIGURE G2407.6.1(1) [304.6.1(1)]
ALL AIR FROM OUTDOOR-INLET AIR FROM VENTILATED CRAWL SPACE AND OUTLET AIR TO VENTILATED ATTIC
(see Section G2407.6.1)

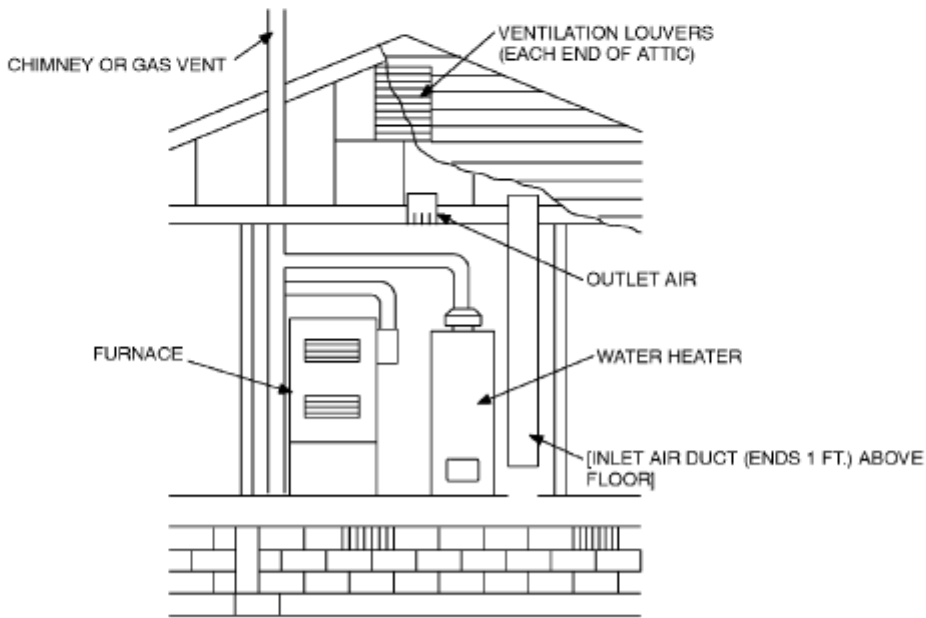


FIGURE G2407.6.1(2) [304.6.1(2)]
ALL AIR FROM OUTDOORS THROUGH VENTILATED ATTIC (see Section G2407.6.1)

For SI: 1 foot = 304.8 mm.